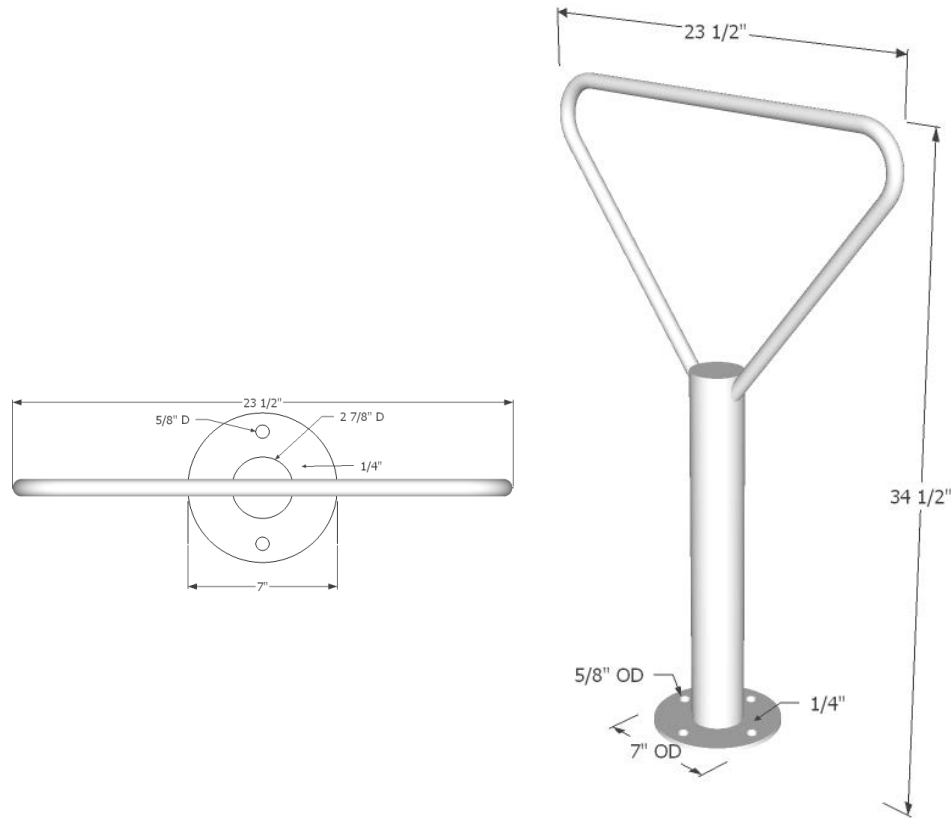




CORR BIKE RACK, INC  
The proven solution to bike parking

www.corra.com

## NABLA



	Width	Height	Depth	Capacity†
Imperial	23 1/2"	34 1/2"	7"	2
Metric	59.7 cm	88.1 cm	17.8 cm	

## FINISHES

### Thermocoated [TC]

**Materials** Heavy duty high quality steels  
Mainframe C.R.W. ASTM A53 2 7/8" OD  
Lock support ASTM A108-03 3/4" Cold Rolled Round-bar

**Finish** Plascoat PPA 571, thermoplastic coating  
Color applied to steel sandblasted to near white

**Weight** 19 lbs

**Anchors** Hot dipped Galvanized 1/2" X 5 1/2" Wedge Anchors

### Galvanized [G]

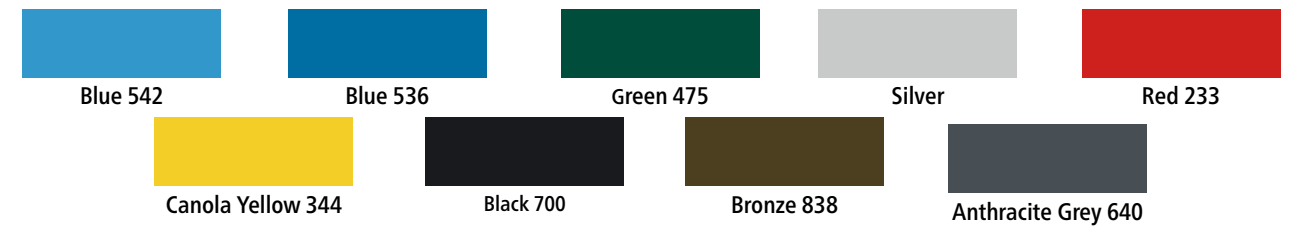
**Materials** Heavy duty high quality steels  
Stem C.R.W. ASTM A53 2 7/8" OD  
Lock support ASTM A108-03 3/4" Cold Rolled Round-bar

**Finish** Hot dipped Galvanized Steel ASTM A123 & A153

**Weight** 19 lbs

**Anchors** Hot dipped Galvanized 1/2" X 5 1/2" Wedge Anchors

### Thermocoated Colors



Please note: While every effort is made to ensure the colors on this page are as accurate as possible, due to printing and on-screen limitations, these colors should be used as guidance only. Samples are available as coated plates or powder.